

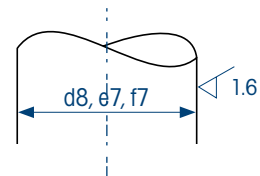
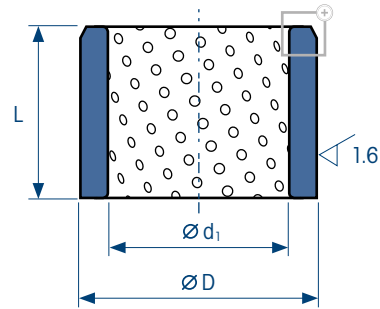
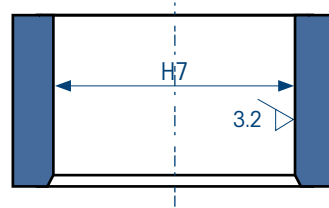
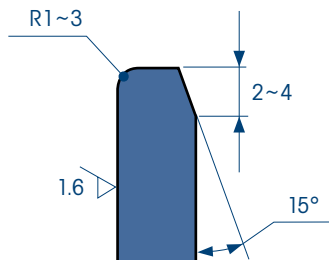


BEST PARTNER

SEALING · BEARING

Auszug Abmessungenliste DBL-Serie
Extract dimension DBL-Serie

d_1 : Nomineller Innendurchmesser | Nominal inner diameter
 D: Nomineller Außendurchmesser | Nominal outer diameter
 D_3 : Lochdurchmesser | Hole diameter
 L: Länge | Length

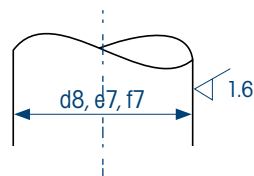
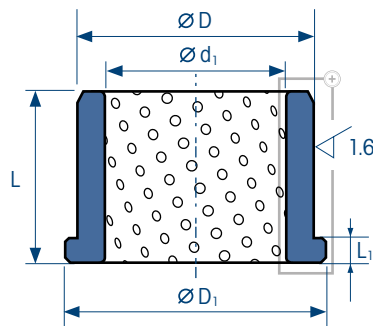
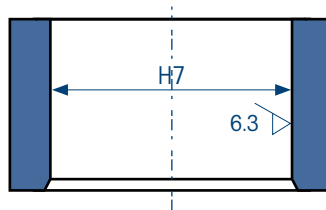
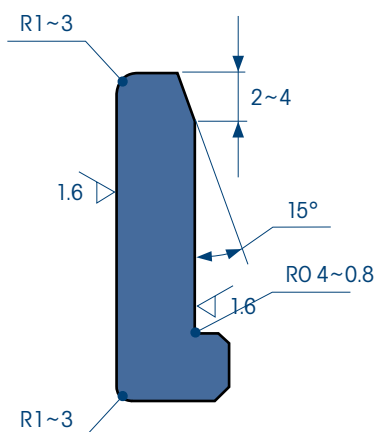


d_1	d_1^{F7}	D	D^{m6}	L $\begin{matrix} -0.30 \\ -0.10 \end{matrix}$															
				8	15	20	25	30	35	40	45	50	60	70	80				
8	+0.028	12	+0.018 +0.007	081208	081210	081212	081215												
10	+0.013	14		101408	101410	101412	101415		101420										
12	+0.034 +0.008	18	+0.021 +0.008		121810	121812	121815	121816	121820	121825	121830								
13		19			131910		131915	131916											
14		20			142010	142012	142015		142020	142025	142030								
15		21			152110	152112	152115	152116	152120	152125	152130								
16		22		162210	162212	162215	162216	162220	162225	162230	162235	162240							
18		24			182412	182415	182416	182420	182425	182430	182435	182440							
20		28		202810	202812	202815	202816	202820	202825	202830	202835	202840	202850						
22	+0.041	32	+0.025 +0.009			223212	223215		223220	223225									
25	+0.020	33				253312	253315	253316	253320	253325	253330	253335	253340	253350	253360				
30		38				303812	303815		303820	303825	303830	303835	303840	303850	303860				
35		45							354520	354525	354530	354535	354540	354550	354560				
40	+0.050	50						405020	405025	405030	405035	405040	405050	405060					
45	+0.025	55	+0.030							455530	455535	455540	455550	455560					
50		60	+0.011							506030	506035	506040	506050	506060					

Bundgleitlager Standardgrößen DBL-Serie

Flanged sliding bearings, standard dimensions, DBL series

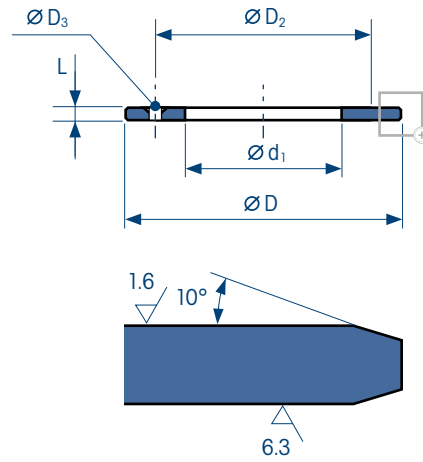
d_1 : Nomineller Innendurchmesser | Nominal inner diameter
 D : Nomineller Außendurchmesser | Nominal outer diameter
 D_3 : Lochdurchmesser | Hole diameter
 L : Länge | Length



d_1	d_1 E7	D	D r6	F	$L_1^{-0.10}$	$L^{-0.30}$												
						15	20	25	30	35	40	50	60	80	100			
10	+0.040 +0.025	14	+0.034 +0.023	22	2	1015	1020											
12		18		25	3	1215	1220											
13		19		26		1315	1320											
14	+0.050 +0.032	20		27		1413	1420											
15		21	+0.041 +0.028	28		1515	1520	1525	1530									
16		22		29	1615	1620	1625	1630										
20		30		40	5	2015	2020	2025	2030		2040							
25	+0.061 +0.040	35		45		2515	2520	2525	2530		2540							
30		40		50			3020	3025	3030	3035	3040	3050						
31.5		40	+0.050 +0.034	50			3120			3135								
35		45		60		3520		3530		3540	3550							
40	+0.075 +0.050	50		65		4020		4030		4040	4050							
45		55		70				4530		4540	4550	4560						
50		60	+0.060 +0.041	75				5030		5040	5050	5060						
55		65		80						5540		5560						
60	+0.090 +0.060	75	+0.062 +0.043	90	7.5					6040	6050			6080				

d ₁	d ₁ E7	D	Dr6	F	L ₁ ^{-0.10}	L ^{-0.30}									
						15	20	25	30	35	40	50	60	80	100
63	+0.090 +0.060	75	+0.062 +0.043	85	7.5									6367	
70		85	+0.073 +0.051	105								7050		7080	
75		90		110									7560		
80	+0.107 +0.072	100	+0.076 +0.054	120	10								8060	8080	80100
90		110		130									9060	9080	
100		120	150											10080	100100
120		140	+0.088 +0.063	170											12080

d₁: Nomineller Innendurchmesser | Nominal inner diameter
 D: Nomineller Außendurchmesser | Nominal outer diameter
 D₂: Schraublochposition | Screw hole position
 D₃: Schraubloch-Durchmesser | Screw hole diameter
 L: Stärke | Thickness



Wellendurchmesser f7 Shaft Diameter f7	d	D	Bolzen Bolt			
			D ₂	Menge Quality	Größe Size	D ₃
10	10.2	30				
12	12.2	40	28	2	M3	3.5
13	13.2					
14	14.2					
15	15.2	50	35		M5	6
16	16.2					
18	18.2					
20	20.2	55	40		M6	7
25	25.2					
30	30.2					
35	35.2	70	50		M8	9
40	40.2					
45	45.2					
50	50.2	100	75	M10	11	
55	55.2					
60	60.2					
65	65.2	125	95			
70	70.2					
75	75.2					
80	80.2	150	120			
90	90.2					
100	100.2					
120	120.2	200	175			